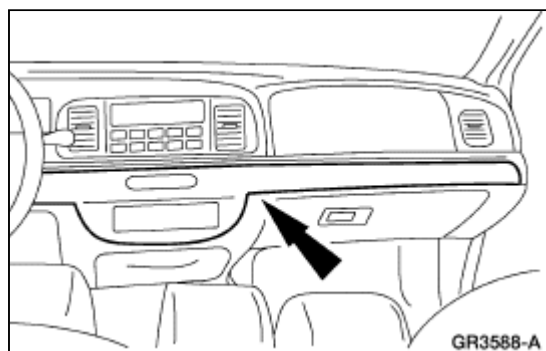
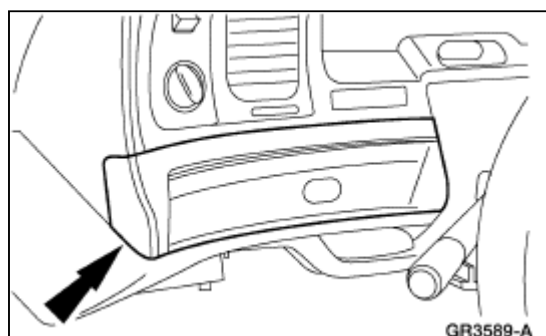


**Instrument Panel —Cluster Finish Panel****Removal**

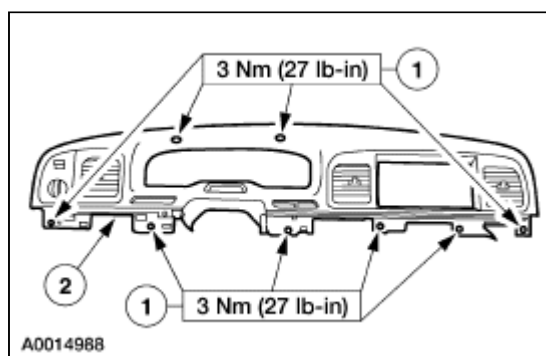
1. Remove the audio unit. For additional information, refer to [Section 415-01](#).
2. Remove the RH instrument panel finish panel.
  - Disconnect the electrical connectors.



3. Remove the LH instrument panel finish panel.
  - Disconnect the electrical connectors.



4. Place the gearshift lever into the 1 position.
5. Place the steering column into the full tilt position.
6. Remove the instrument panel cluster finish panel.
  1. Remove the screws.
  2. Remove the instrument panel cluster finish panel.
    - Disconnect the electrical connectors.



## Installation

1. To install, reverse the removal procedure.
-